

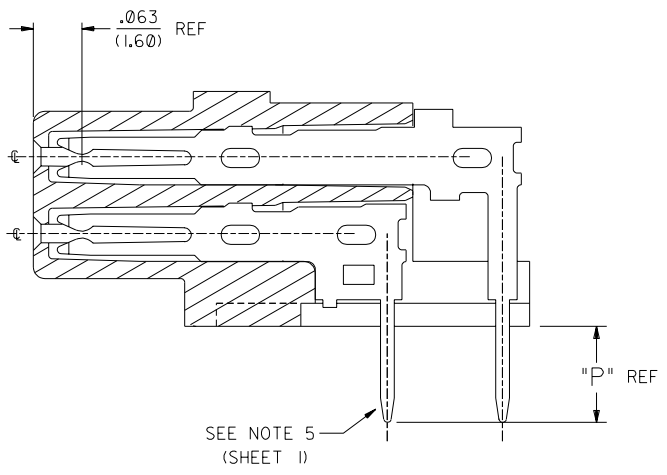
- NOTES:
- REFER TO PS-79058 PRODUCT SPEC. FOR ELECTRICAL, MECHANICAL AND ENVIRONMENTAL SPECIFICATIONS.
  - MATERIAL:  
RECEPTACLE HOUSING: GLASS FILLED LCP (LIQUID CRYSTAL POLYMER); COLOR - BLACK; UL 94V-0  
TERMINALS: PHOSPHOR BRONZE
  - PACKAGING:  
PARTS PACKAGED IN TUBES PER PK-70873-0423
  - SEE SHEET 5 FOR CHARTED DIMENSIONS.
  - FOR FIXED TAIL/PCB PATTERN AT LAST CIRCUIT POSITIONS REFER TO SECTION A-A ON SHEETS 2 AND 3, AND PCB LAYOUT SHOWN ON SHEETS 4 AND 5.
- PLATING FINISH  
SELECTIVE GOLD: THICKNESS= 30 MICROINCHES/(0.76 MICROMETERS) MINIMUM.  
SELECTIVE TIN: THICKNESS= 75 MICROINCHES/(1.90 MICROMETERS) MINIMUM.  
NICKEL UNDERPLATE OVERALL.

NOTE FOR LEAD FREE CONVERSION:  
THE PRIMARY SHIPPING CARTON WILL BE LABELED "COMPLIANT TO ROHS DIRECTIVE 2002/95/EC AND ELV ANNEX II OF DIRECTIVE 2000/53/EC". CARTONS WITHOUT THIS LABEL MAY CONTAIN PRODUCT WITH LEAD.

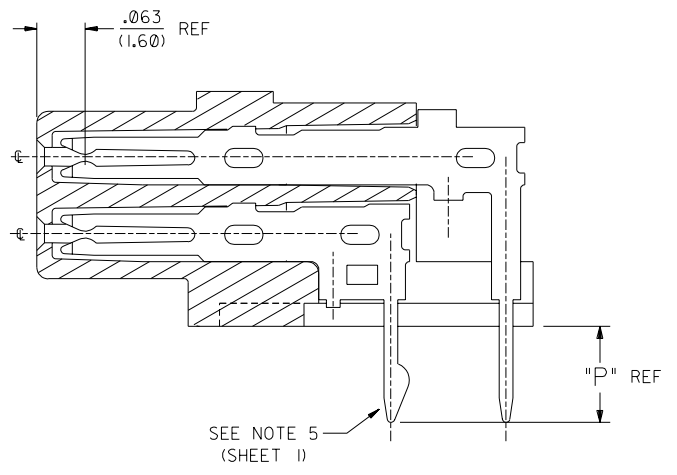
E		ADDED -3* SERIES EC #UDT2000-0115 J. LONG 99/07/30		DIMENSIONS SHOWN (METRIC) INCH UNLESS OTHERWISE SPECIFIED TOLERANCES: ANGULAR ± 1/2°		REVISE ONLY ON CAD SYSTEM	
G	DI	OBSOLETE PART # ECN# UCP2005-0311 BSMART 04/08/09		3 PLACE ± .005 ---		TITLE SALES ASSEMBLY SCSI RECEPTACLE	
F	D	LEADFREE ECN# UCP2004-1925 DMORGAN 04/04/06		2 PLACE ± --- ± 0.13		MOLEX INCORPORATED SHEET NO. DATE U.S.A. 1 of 5 95/03/02	
LTR. REVISIONS		LTR. REVISIONS		1 PLACE --- ± ---		PART NO. DRWG. NO. SEE SHEET 5 SDA-71061-****	
				DRAFT WHERE APPLICABLE MUST REMAIN WITHIN DIMENSIONS		THIS DRAWING CONTAINS INFORMATION THAT IS PROPRIETARY TO MOLEX INC. AND SHOULD NOT BE USED WITHOUT WRITTEN PERMISSION.	
				DRWG. BY J. Long CHK'D BY J. Long		DIV. SIZE dc C	
				APPR. BY DJB SCALE 4 1			

5	G
4	G
3	G
2	G
1	G
MFG. SH. REV.	

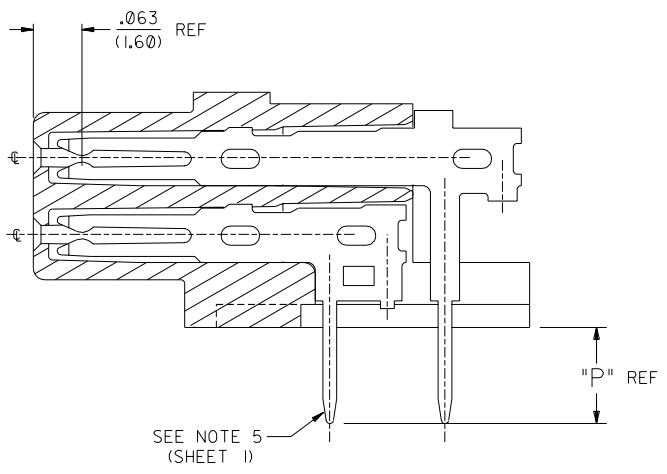
71061



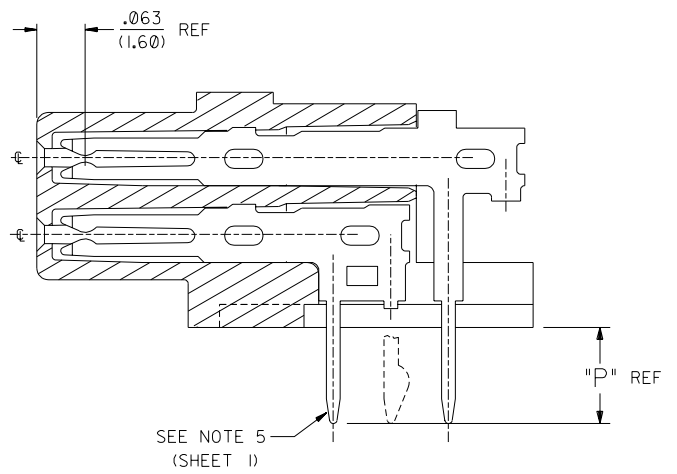
FOR 50 CIRCUIT ASSEMBLIES  
A-71061-0\*\*\*



FOR 50 CIRCUIT ASSEMBLIES  
A-71061-1\*\*\*



FOR 68 CIRCUIT ASSEMBLIES  
SECTION A-A  
A-71061-0\*\*\*



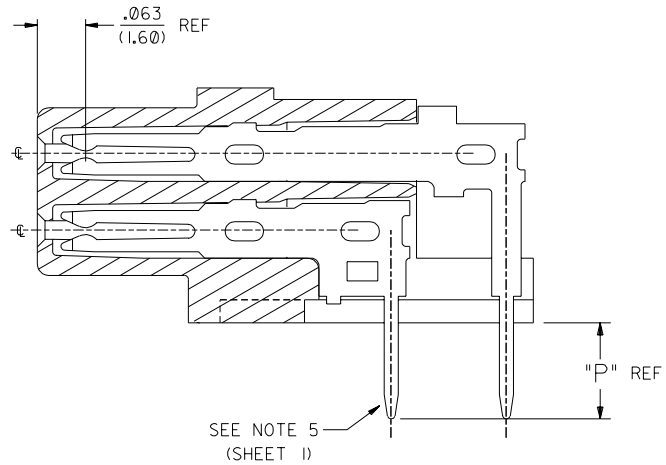
FOR 68 CIRCUIT ASSEMBLIES  
SECTION A-A  
FOR RETENTION TAIL OPTION  
A-71061-1\*\*\*

\*\* TYPE I TAIL OPTIONS \*\*

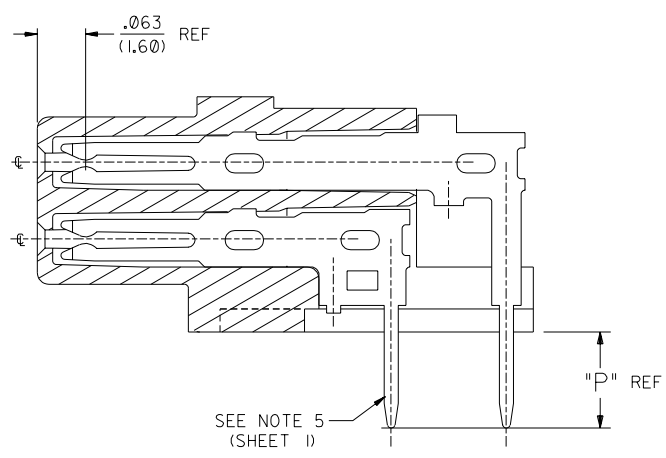
		D	SEE SHEET 1
G	SEE SHEET 1	B	SEE SHEET 1
E	SEE SHEET 1	A	SEE SHEET 1
LTR.	REVISIONS	LTR.	REVISIONS

DIMENSIONS SHOWN (METRIC) INCH	
UNLESS OTHERWISE SPECIFIED TOLERANCES: ANGULAR $\pm 1/2^\circ$	
3 PLACE $\pm .005$	---
2 PLACE $\pm .01$	$\pm 0.13$
1 PLACE $\pm .1$	---
DRAFT WHERE APPLICABLE MUST REMAIN WITHIN DIMENSIONS	
DRG. BY: J. Long	CHK'D. BY: J. Long
APP'D. BY:	SCALE: 4:1

MFG. SH. REV.		REVISE ONLY ON CAD SYSTEM	
TITLE: SALES ASSEMBLY SCSI RECEPTACLE			
FROM: MOLEX INCORPORATED	SHEET NO. 2	DATE 95/03/03	
LISLE, ILL. 60532 U.S.A.			
PART NO. SEE SHEET 5	DRWG. NO. SDA-71061-****		
FILE NAME: S7106102.DGN		THIS DRAWING CONTAINS INFORMATION THAT IS PROPRIETARY TO MOLEX INC. AND SHOULD NOT BE USED WITHOUT WRITTEN PERMISSION.	DC C



FOR TYPE I 50 CIRCUIT ASSEMBLIES  
A-71061-2\*\*\*



FOR TYPE II 68 CIRCUIT ASSEMBLIES  
SECTION A-A  
A-71061-2\*\*\*

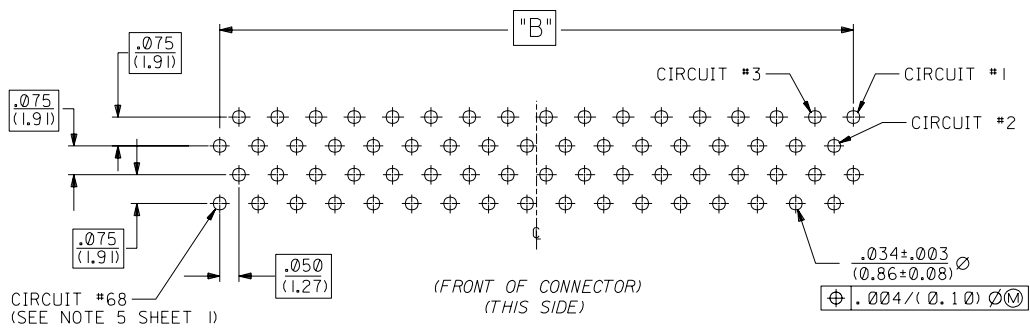
71061

MFG.	SH.	REV.
------	-----	------

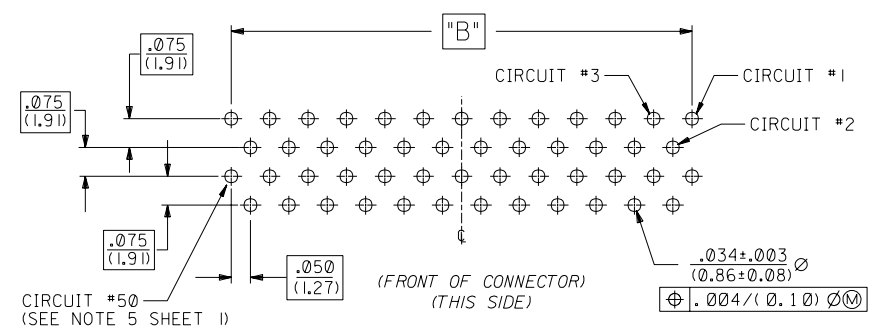
		G	SEE SHEET 1
		E	SEE SHEET 1
		D	SEE SHEET 1
LTR.	REVISIONS	LTR.	REVISIONS

DIMENSIONS SHOWN (METRIC) INCH	
UNLESS OTHERWISE SPECIFIED TOLERANCES: ANGULAR $\pm 1/2^\circ$	
3 PLACE	$\pm .005$
2 PLACE	$\pm .01$
1 PLACE	$\pm .01$
DRAFT WHERE APPLICABLE MUST REMAIN WITHIN DIMENSIONS	
DRG. BY: J. Long	CHK'D. BY: J. Long
APP'D. BY:	SCALE: 4:1

TITLE		REVISE ONLY ON CAD SYSTEM	
SALES ASSEMBLY SCSI RECEPTACLE			
MOLEX	MOLEX INCORPORATED	SHEET NO.	DATE
1515E, ILL.	60532	3	95/11/14
PART NO.	DRWG. NO.		
SEE SHEET 5	SDA-71061-****		
FILE NAME	THIS DRAWING CONTAINS INFORMATION THAT IS PROPRIETARY TO MOLEX INC. AND SHOULD NOT BE USED WITHOUT WRITTEN PERMISSION.	DIV.	SIZE
57106103		DC	C

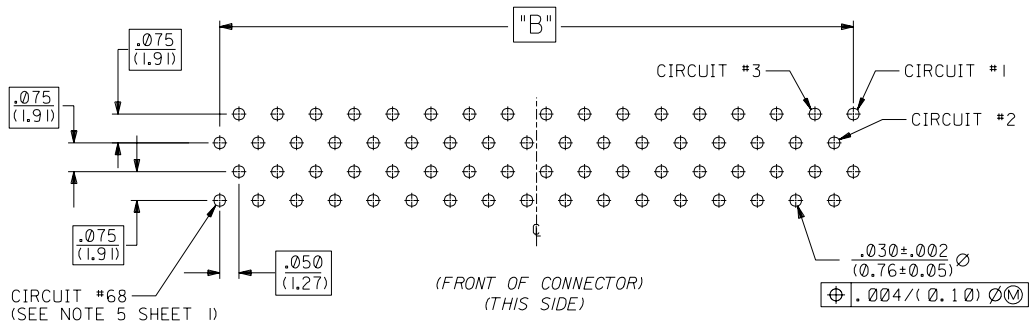


TYPE 168 CIRCUIT P.C. BOARD LAYOUT  
CONNECTOR SIDE

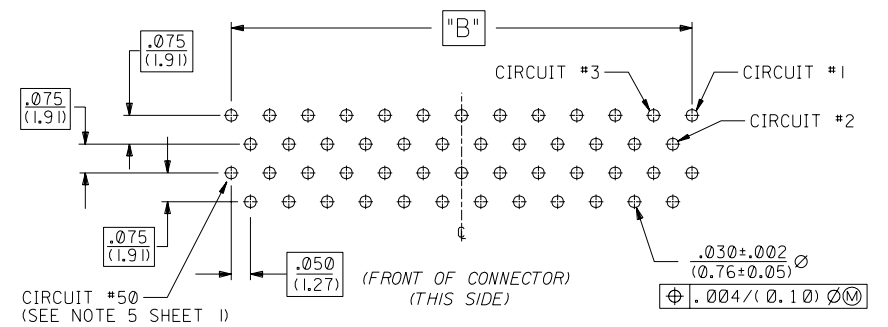


TYPE 150 CIRCUIT P.C. BOARD LAYOUT  
CONNECTOR SIDE

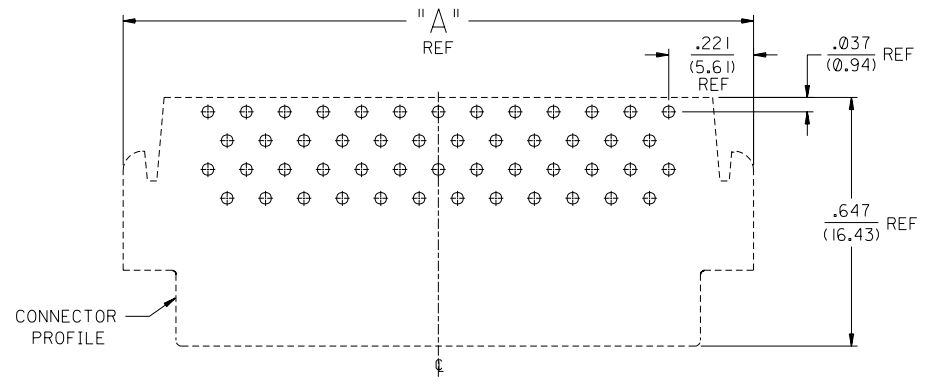
TYPE I TAIL P.C. BOARD LAYOUT FOR A-71061-0\*\*\*



TYPE 168 CIRCUIT P.C. BOARD LAYOUT  
CONNECTOR SIDE



TYPE 150 CIRCUIT P.C. BOARD LAYOUT  
CONNECTOR SIDE

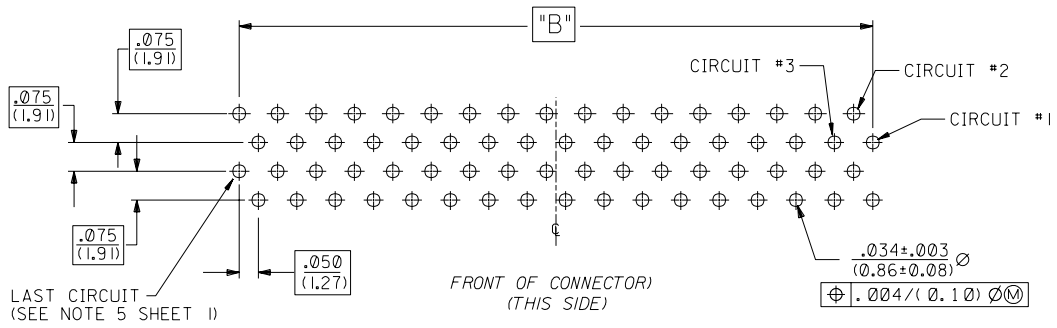


RECOMMENDED CONNECTOR LAYOUT  
(50 CKT SHOWN FOR REFERENCE)

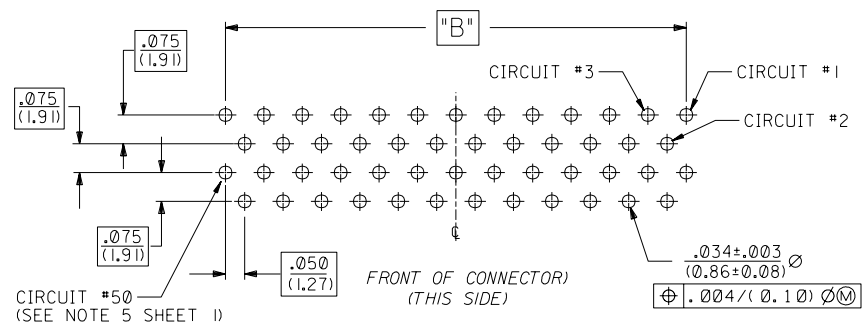
TYPE I RETENTION TAIL P.C. BOARD LAYOUT A-71061-1\*\*\*

LTR. REVISIONS		LTR. REVISIONS		DIMENSIONS SHOWN (METRIC) INCH UNLESS OTHERWISE SPECIFIED TOLERANCES: ANGULAR 1/2° 5 PLACE ± .005 2 PLACE ± --- ± 0.13 1 PLACE --- ± --- DRAFT WHERE APPLICABLE MUST REMAIN WITHIN DIMENSIONS DRWG. BY J. Long CHK'D BY J. Long APP'D. BY SCALE 4:1		MFG. SH. REV. REVISE ONLY ON CAD SYSTEM TITLE SALES ASSEMBLY SCSI RECEPTACLE FILE NAME 57106104.DGN SHEET NO. 4 DATE 95/03/03 MOLEX INCORPORATED U.S.A. L1SLE,ILL. 60532 DRWG. NO. SDA-71061-**** THIS DRAWING CONTAINS INFORMATION THAT IS PROPRIETARY TO MOLEX INC. AND SHOULD NOT BE USED WITHOUT WRITTEN PERMISSION. DC C	
----------------	--	----------------	--	--	--	---	--

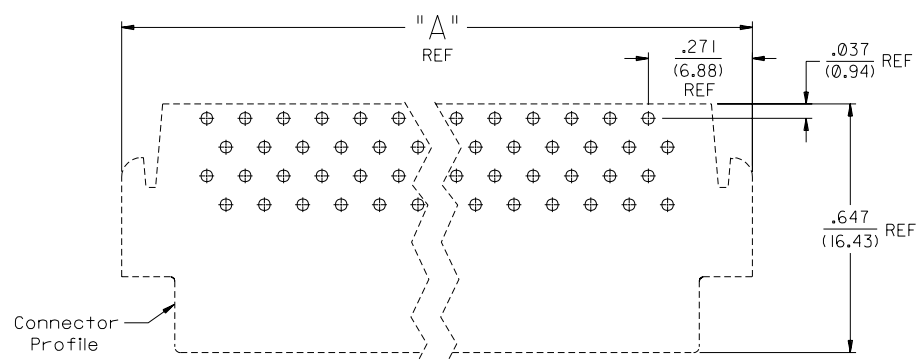
13		12		11		10		9		8		7		6		71061		4		3		2		1	
A-71061-0*** ITEM NO.		A-71061-1*** ITEM NO.		A-71061-2*** ITEM NO.				CKT. SIZE		DIM. A		DIM. B		DIM. C		DIM. P		RECMD PCB							
71061-0001		71061-0003		71061-1003		71061-2003		50		1.642 41.71		1.200 30.48		1.366 34.70		.125 3.18		.062 1.57							
71061-0003		71061-1003		71061-2003				68		2.092 53.14		1.650 41.91		1.816 46.13		.125 3.18		.062 1.57							



TYPE 1168 CIRCUIT P.C. BOARD LAYOUT  
CONNECTOR SIDE



TYPE 150 CIRCUIT P.C. BOARD LAYOUT  
CONNECTOR SIDE



Recommended Connector Layout  
(TYPE 1168 CIRCUIT SHOWN FOR REFERENCE)

TYPE 11 TAIL P.C. BOARD LAYOUT FOR 68 CKT A-71061-2\*\*\*

G		SEE SHEET 1		D		SEE SHEET 1		DIMENSIONS SHOWN (METRIC) INCH		UNLESS OTHERWISE SPECIFIED TOLERANCES: ANGULAR ± 1/2°		MFG. SH. REV.		REVISE ONLY ON CAD SYSTEM	
F		SEE SHEET 1		E		SEE SHEET 1		INCH METRIC		3 PLACE ± .005 ---		TITLE		SALES ASSEMBLY SCSI RECEPTACLE	
E		SEE SHEET 1		D		SEE SHEET 1		2 PLACE ± --- ± 0.13		1 PLACE --- ± ---		MOLEX INCORPORATED		SHEET NO. 5	
D		SEE SHEET 1		C		SEE SHEET 1		DRAFT WHERE APPLICABLE MUST REMAIN WITHIN DIMENSIONS		FILE NAME		SEE CHART		SDA-71061-****	
C		SEE SHEET 1		B		SEE SHEET 1		APPRO. BY J. Long		CHK'D. BY J. Long		SCALE 4:1		DATE 95/11/14	
B		SEE SHEET 1		A		SEE SHEET 1		PART NO. 68532		DRWG. NO.		DIV. DC		SIZE C	
A		SEE SHEET 1		L		SEE SHEET 1		THIS DRAWING CONTAINS INFORMATION THAT IS PROPRIETARY TO MOLEX INC. AND SHOULD NOT BE USED WITHOUT WRITTEN PERMISSION.		APP'D. BY		SCALE 4:1		DATE 95/11/14	